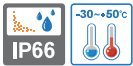


# SAOL3

## Low Intensity LED Aviation Obstruction Light



Applied on tall structures for collision avoidance measures and airport runway safety



Obtained Certification from the International Civil Aviation Organization



SAOL3



SAOL3P

Wire is not exposed outside in the pole mount model.



### SAOL3 Low Intensity LED Aviation Obstruction Light

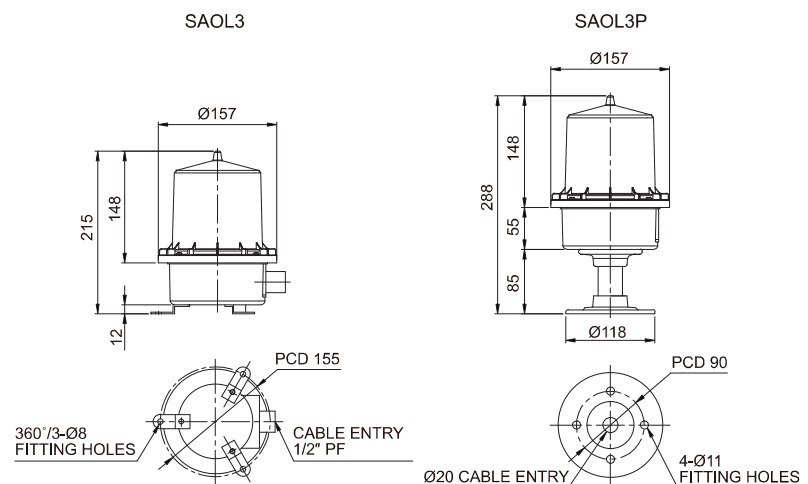
- Low intensity B type aviation obstruction lights are installed onto fixed objects that are less than 150m from the land or water surface

ICAO standard	Low intensity B type		
Light source	High intensity light emitting diodes		
Light color	Red		
Light function	Steady		
Rated voltage	DC12V, DC24V, AC110V, AC220V		
Power consumption	30W		
Standard housing color	Red	Cable entry	1/2"PF
Materials	Lens-PC, Housing-Al		
Protection rating	IP66	Ambient operating temperature	-30°C to +50°C
Certificates	ICAO compliant	Luminous intensity	48cd/m



#### Technical Diagram

(Units : mm)



#### Customization

- Cable gland - 1/2"PF
- Standard model is not equipped with cable gland
- Built-in darkness detecting sensor available



#### Ordering Specification

<b>SAOL3</b>	-	<b>24</b>	-	<b>R</b>
[Model number]		[Voltage]		[Color]
• SAOL3 • SAOL3P		• 12-DC12V • 24-DC24V • 110-AC110V • 220-AC220V		• R-Red



Warning/Signal/Stackable



Signal & Electric Horn/Speakers



Vessels and Heavy-Duty Equipment



Explosion Proof



Warning Light Bar



Aviation Obstruction Lights



Signal Tower Lights



USB/ETN Signal Tower Lights



Electric Horn/Speakers



Industrial LED Lights