

SAOL2(P)/SAOL3(P) Series

OPERATING MANUAL

Low Intensity LED Aviation Obstruction Light

Thank you for purchasing Qlight product. Please read this manual carefully before installing this product for safe and long use.

1 Product Features

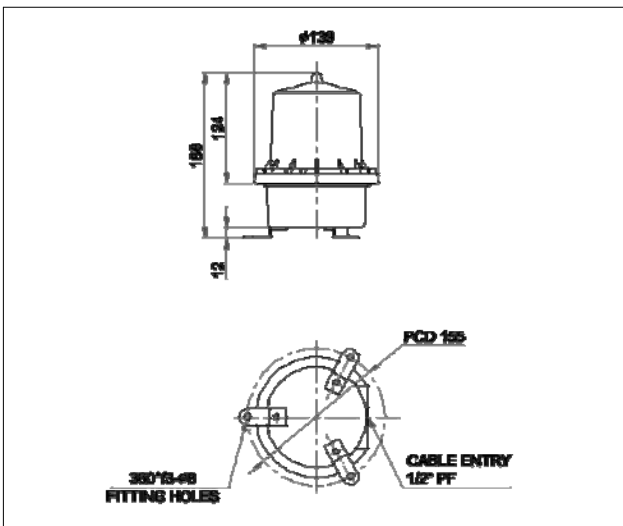
- LED light source realizes longer lifetime(25 times than bulb) and cut down the maintenance cost in comparison with bulb light source model
- SAOL2 and SAOL3 can be provided with two options such as direct mounting and pole based mounting type.
- Excellent durability by adopting PC or aluminum housing.
- Wiring terminal is installed at the inside of the housing
- Possible to make the sun switch system which automatically detects the condition of darkening.
- Housing : Lens-PC, Housing-AL, Bracket-ST(SAOL2,3), AL(SAOL2/3(P))
- SAOL2(P) Light color/luminous intensity : Red(Steady type) / $21 \pm 1 \text{cd}$
- SAOL3(P) Light color/luminous intensity / $42 \pm 2 \text{cd}$
- Ambient operating temperature : -30°C to $+50^\circ\text{C}$
- Protection rating : IP66

2 Specifications & Technical Diagram

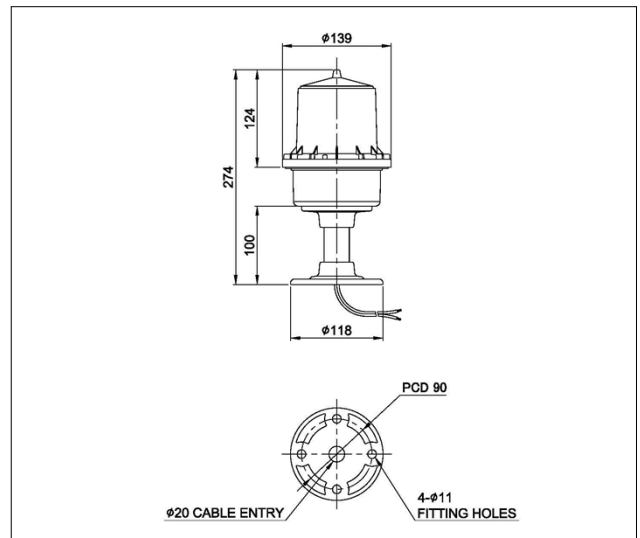
1) Specifications

Model Number	Voltage	Current	Luminous intensity	Color
SAOL2(P)	DC12V	Max.0.760A	$21 \pm 1 \text{cd}$	Red
	DC24V	Max.0.250A		
	AC110V~AC220V	Max.0.145A		
SAOL3(P)	DC12V	Max.0.870A	$42 \pm 2 \text{cd}$	
	DC24V	Max.0.310A		
	AC110V~AC220V	Max.0.170A		

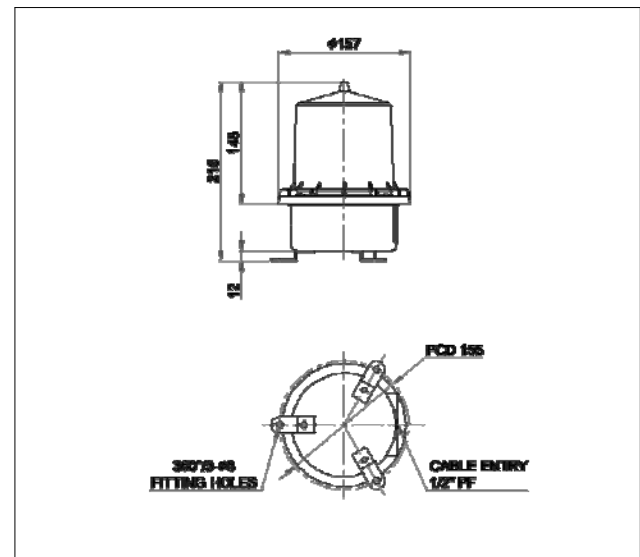
2) SAOL2



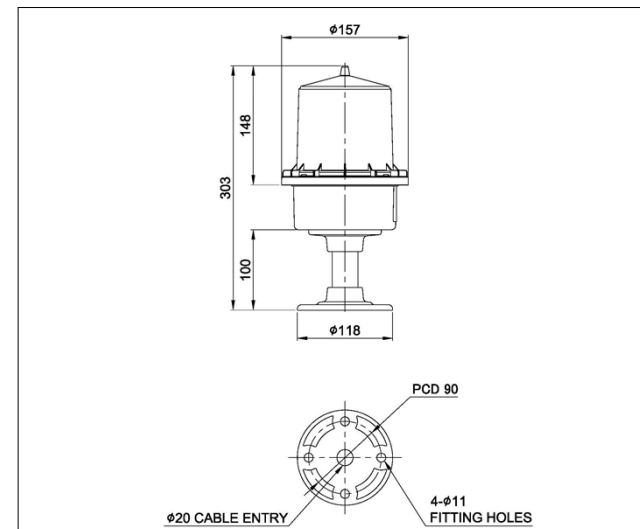
3) SAOL2P



4) SAOL3



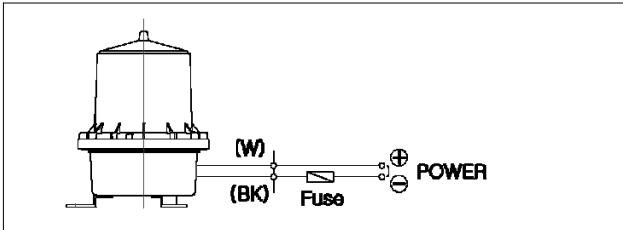
4) SAOL3P



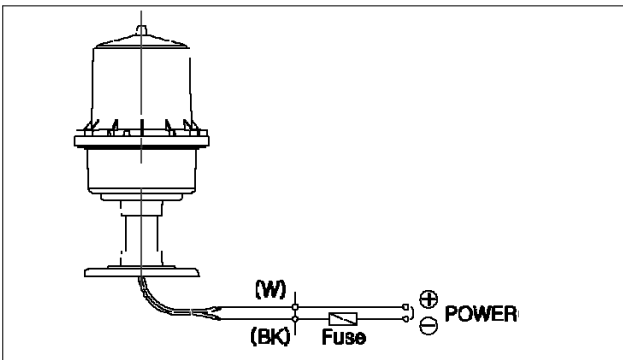
3 Wiring Instructions

- Please wire appropriately by referring below instructions.

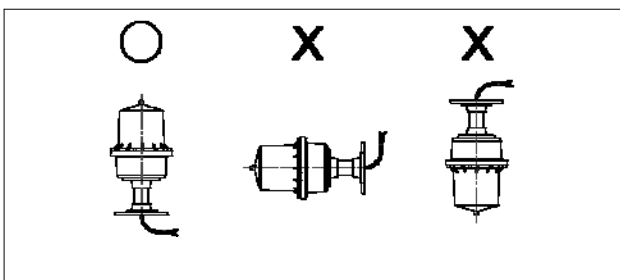
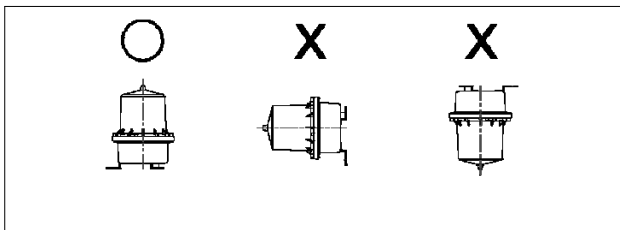
1) SAOL2P/3P



2) SAOL2P/3P

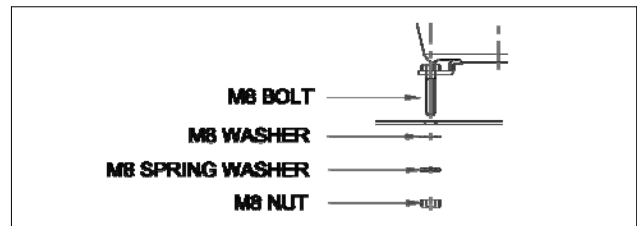


4 Installation

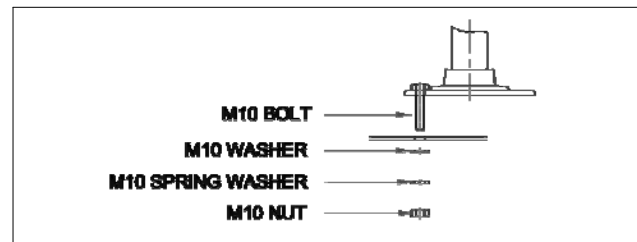


- This product is designed for out door use. However we recommend you to use this where is less dust and water.
- Put appropriate holes where the product is installed. (Please refer to dimensions for mounting holes)
- Fix SAOL2/3 by using bolts M8-3EA.
- Fix SAOL2/3P by using bolts M10-4EA.

1) SAOL2/3



2) SAOL2P/3P



5 Caution

- If using voltage is seriously higher or lower than rated voltage, it can reduce the self-life of the product or can cause a problem on product operating. Make sure the using voltage does not exceed +/- 5% of the rated voltage.
- If lens or body of the product is contaminated by chemicals such as thinner, benzene, the product can be damaged, discolored or deformed. Please be careful.
- Do not give strong impact to the product. It can be a reason of wire disconnection or short circuit.
- Do not pull the wires out too hard. It may be reason of damage.

6 Trouble Shooting

Situation	Main reason	Solution
Not flashing	Wrong wiring	Making Sure Wiring
	No Power Supply	Check Power circuit
Non- Lighting Partly	LED is partly damaged, supplying higher voltage than rated voltage	LED Change
Feeble Lighting	Supplying Voltage Lower Than Rated Voltage	Making Sure Using Voltage

7 Customer Service information

QLIGHT CO., LTD.

http://www.qlight.com
E-mail: trade@qlight.com

Overseas Marketing Team /Plant

Tel) 055-328-4082 Fax)055-328-4083
185-25 Mukbang-ro, Sangdong-Myeon, Kimhae-Si, GyeongNam, Korea