

### SAOL1

#### OPERATING MANUAL LED LOW INTENSITY OBSTRUCTION LIGHT

Thank you for purchasing QLight product. Please read this manual carefully before installing this product for safe and long use.

### 1. Product Feature

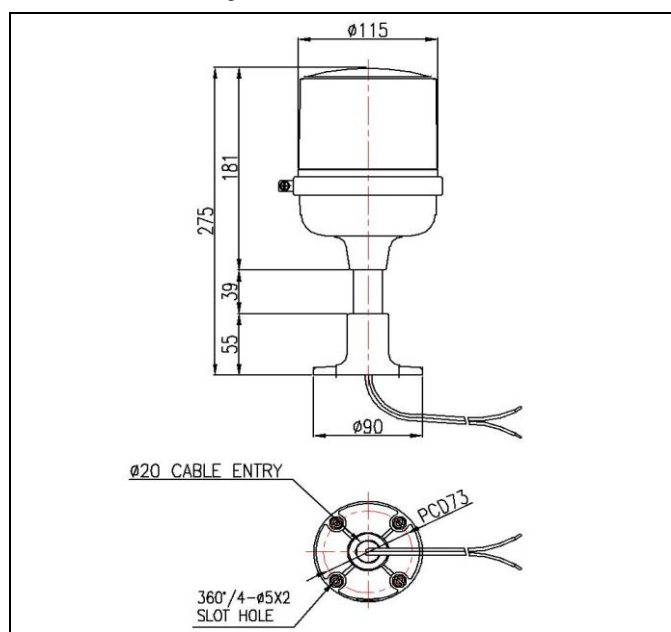
- Using the increased lifetime of the LED light bulbs (25 times of a standard lamp bulb) decreases the light source replacement cost
- Excellent durability from a selection of a polycarbonate housing structure
- Luminous intensity for center area is Minimum 10cd
- Available DC12~DC50V free voltage
- Materials : Lens-PC, Housing-PC, Lens ring-SUS304, PIPE-SUS304
- Steady type
- Ambient operating temperature : -30°C ~ 50°C
- Protection rating : IP56

### 2. Specification and External View Drawing

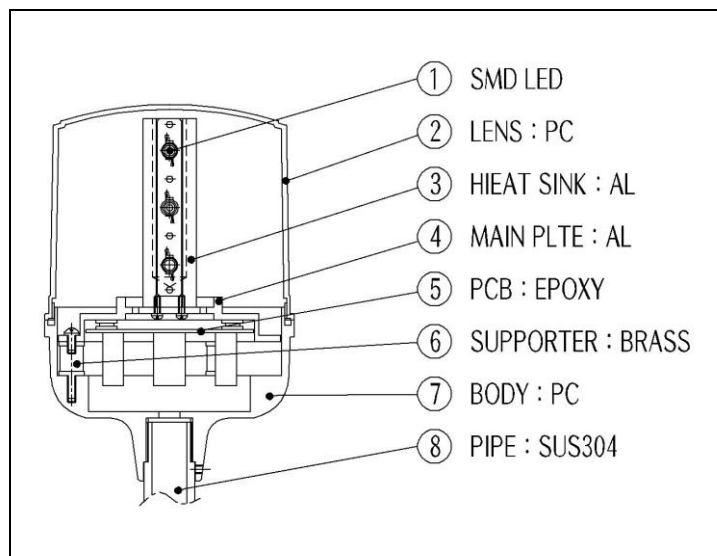
- General specification

Model name	Voltage	Current	Weight	Flashing	Color
SAOL1	VDC12~50	MAX.0.8A	0.92Kg	-(Steady type)	Red-R

- External View Drawing

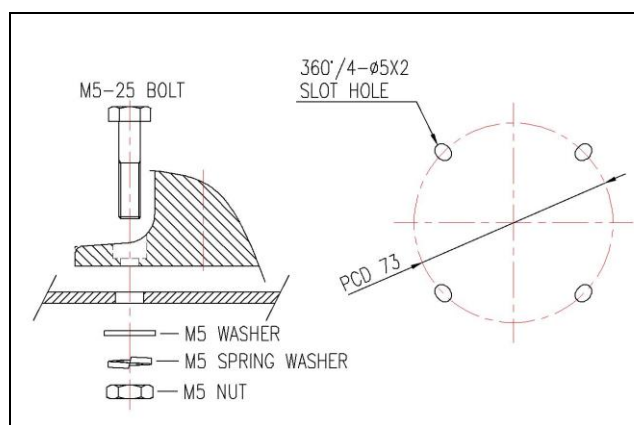


### 3. Structure Drawing



### 4. Mounting

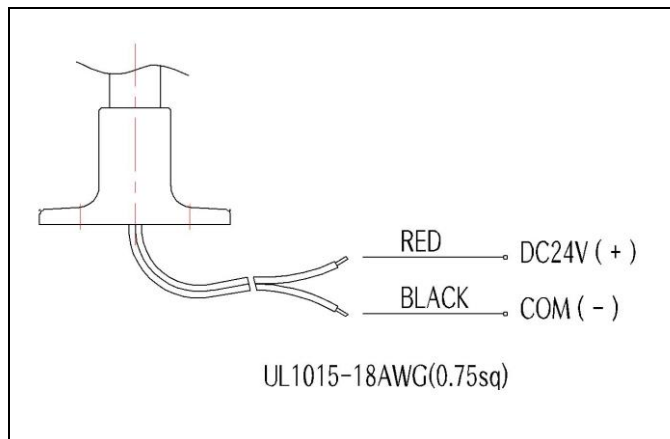
- This product was manufactured with the structure for outdoor use. Please mount it at the place where exists low vibration, low moisture as long as possible. Mounting also should be done only on the vertical standing direction.
- Please make a hole by a drill where you need to attach our product and refer to below picture for a hole size. (Make sure PCD from external view drawing.)
- Fix the product by using separate nuts(M5-4EA).
- In case of Nut, there are spring washer assembling type and flange nut type



### 5. Wiring Instruction

Power lines of UL1015-18AWG (0.75sq) x 2C 500mm come out from the product.

- Wire black line into (-) and red line into (+)



### — For A/S & Information on Product

#### QLIGHT CO., LTD.

<http://www.qlight.com>

E-mail : [trade@qlight.com](mailto:trade@qlight.com)

#### Overseas Marketing Team /Plant

Tel) 82-55-328-4082 Fax) 82-55-328-3883

185-25 Mukbang-ro Sangdong-Myun, Gimhae-Si,  
Gyeongsangnam-do, Korea

### 6. Caution

- If using voltage is seriously higher or lower than rated voltage, it can reduce the self-life of the product or can cause a problem on product operating. Make sure the using voltage does not exceed +/-5% of the rated voltage.
- If lens or body of the product is contaminated by chemicals such as thinner, benzene, the product can be damaged, discolored or deformed. Please be careful.
- Do not give strong impact to the product. It can be a reason of parts damage or short circuit.
- Do not throughout the lines from the product. It can be a reason of trouble.

### 7. Trouble Shooting

Situation	Main reason	Solution
Non- Lighting Partly	LED is partly damaged, supplying higher voltage than rated voltage.	Making sure using voltage
Feeble Lighting	Supplying voltage lower than rated voltage	Making sure using voltage
Neither Lighting nor Flashing	Wrong wiring	Making sure wiring
	No power supply	Making sure power supply